

# Vandal Resistant PoE White Light Illuminator

## S-SG8P-W

- Powerful lighting products for dark place and night vision illumination  
Improves performance of night vision camera to get colorful pictures
- High-efficiency, long life span and zero maintenance



## Product Features

- Independent innovation of high efficiency power drive schemes
- High thermal conductivity aluminum + Vandal-resistant PC panel
- Long service life, 50,000hours in theory
- Energy saving technology
- IP66 waterproof and dustproof
- Manual power control
- Manual Light operated sensor control
- PoE (Power over Ethernet) powered
- Easy installation
- 2 years warranty



## Basic Function

- Improves performance of the weak light camera and enhances the monitoring picture effect.
- Low equipment cost
- Reduce cost of installing and wiring
- Indoor and outdoor use

## Viewing picture at night



With white light

Without white light

Picture



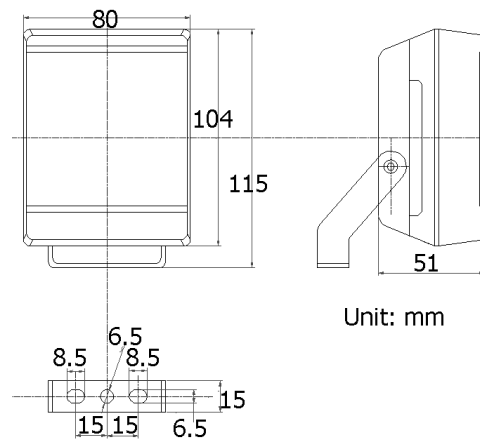
Product Certificate



Technical Specification

LED type: 8pieces high power white light LED  
 Color temperature: 5500-6000K/3000-3500K  
 Luminous flux: 700lm  
 Beam angle: 30° to 60°  
 Beam distance: 1m-30m  
 Bracket: wall mount bracket  
 Cable: IP66 RJ45 jack with Cat.5e 50cm  
 Working voltage: PoE IEEE 802.3af  
 Power consumption: 8W  
 Day/night switch: with CDS sensor  
 Working temperature: -40°C to 60°C  
 Protection level: IP66  
 Color: white color  
 Panel: vandal-resistant panel  
 Housing: aluminum die-casting housing  
 Net weight: 0.52kg  
 Gross weight: 0.6kg  
 Dimensions: 145\*135\*95mm

Drawing



Unit: mm

Model for Selection

Model	Beam angle	*Viewing distance (adjustable)
S-SG8P-30-W	30°	1m-30m
S-SG8P-45-W	45°	1m-25m
S-SG8P-60-W	60°	1m-15m

\*Viewing distance is adjustable, tested by Sony 1/3" CCD Camera with 0.01LUX

To achieve the distance needed, please pay attention to your camera specification and lens before purchase. It is normal phenomenon that distance may vary due to different cameras and lens.