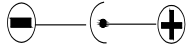


Waterproof power supply unit

DC12V 2A

OUP2

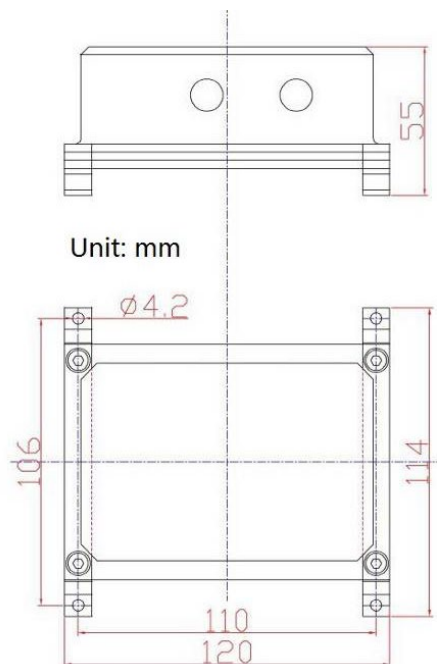
Technical Specification

Input	AC110-220V	
Frequency	50-60HZ	
Output	DC12V 2000mA	
Output plug	DC12V male plug	
Install bracket	"U" bracket	
Working temperature	-30°C to +50°C	
Housing	Aluminum die-casting housing	
Protection level	IP66	
Color	Black	
N.W.	0.5kg	
G.W.	0.6kg	
Dimension	120*114*55mm	
Packing dimension	145*140*95mm	



Drawing and Dimension

Unit: mm



Operate Instructions

1. The junction of Input and output cable must be downward to avoid water in.
2. Input cable must be grounded, ensure lightning protection measures.
3. Don't use against any fire precaution rules during operation.
4. Install and adjust by professional electrician or quality technician.
5. Do not open the case and remove the power supply.