

PoE Converter

PoEC



Technical Specification

Convert voltage of DC12V illuminators to PoE (Power Over Ethernet)

Input: PoE IEEE 802.3at

Power: 25W

Cable: Cat.5e 45cm

Waterproof plug IP66

Output: DC12V 2A, 1 Port

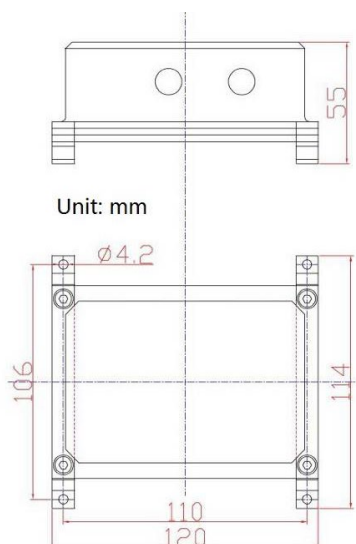
Color: Black/ beige optional

Size: 120*114*55mm

N.W. 0.4kg

Drawing and Dimension

Unit: mm



Operate Instructions

1. The junction of Input and output cable must be downward to avoid water in.
2. Don't use against any fire precaution rules during operation.
3. Install and adjust by professional electrician or quality technician.
4. Do not open the case and remove the power supply.