

GOLDEN H SERIES IR ILLUMINATOR

S-H062-IR

- The H series high power IR illuminator is a top quality LED light source of night illumination with the longest service life.
- Deliver high power infrared light for CCTV & IP camera at night time and improve performance of camera to get clear pictures.
- 50,000 hours lifetime of LED.
- 3/5 years warranty.



Professional Design



- Two stages of constant current circuit avoid LED away from instantly impulse impact when started.
- 50% design margin and accurate constant current circuit drive not only develop excellent performance of LED but maintain whole product a super long life of 10 years.
- Low failure rate of products is guaranteed by the professional in-house optimized independent circuit technology, which has been widely used in the illuminators for more than 5 years.
- Wide edge of silica gel circle and water stop line ensure IP66 waterproof and dustproof level.
- Twice direct cooling heat sink processing enable to increase the cooling coefficient and prolong the service life of the product.
- Patent design hexagonal spherical light sensor more accurately responses ambient brightness and improves accuracy of automatic light control.
- Flexible angle-adjustable bracket can extend the illuminance range widely.
- Robust cooling fin design is available the illuminator working at -40°C to 50°C.
- Super energy saving circuit with low electrical power consumption.

Qualified Material

- Super power dot-matrix IR LED with strong light effect, long service life and low light decline feature.
- High efficient twice optical lens processing achieves 90% of the luminous efficiency.
- The housing adopts high thermal conductivity aluminum to enhance heat dispersion property.
- Stainless steel bracket and screw ensure low maintenance.

Wide Range of Application

- Recommended for security at ports, railway systems, border, prisons, traffic LPR/ANPR, ITS as well as large public places surveillance.

Basic Function

- To improve performance of the weak light camera and enhancing the picture effects at night
- Conventional night monitoring
- The function of video analysis at night
- Reduce signal noise and other image distortion
- Reduce the network bandwidth requirements
- Energy saving by power factor correction
- Reduce the equipment cost
- Lower cost of installing and wiring

Viewing Picture at Night



With IR



Without IR

GOLDEN H SERIES IR ILLUMINATOR

Picture



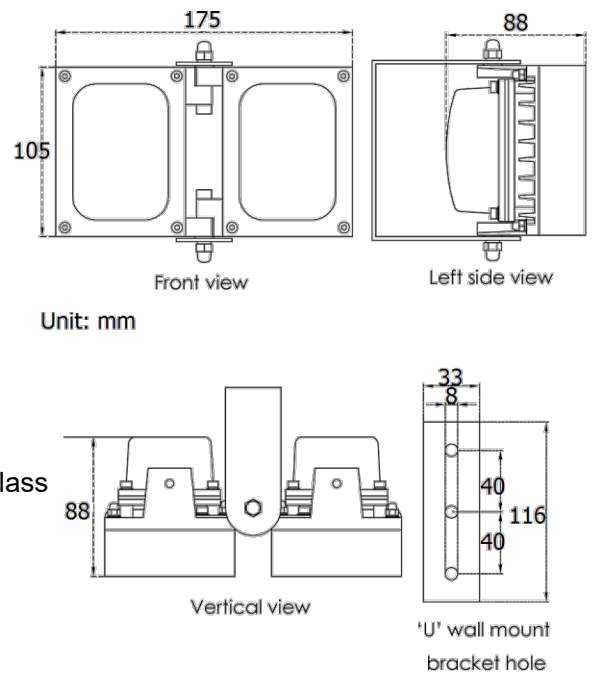
Product Certificate



Technical Specification

LED type	12pcs 2W dot-matrix IR LED
Wavelength	740nm/850nm/940nm
Voltage	AC85-265V/DC12V/AC24V
Power consumption	24W(850nm)
Day and night switch	Auto (build in photocell)
Cable length	1.3meter
Mounting	Wall mounting "U" bracket
Temperature	-40°C to 50°C
Grade of protection	IP66
Color	Black
Housing	Aluminium
Panel	High light transmittance toughened glass
Net weight	2kg
Gross weight	2.6kg
Dimension	175*105*88mm
Packing dimension	350*220*180mm

Drawing



Model for selection

Model	Beam angle	IR distance(850nm)
S-H062-15-IR	15° - 30°	130m-90m
S-H062-30-IR	30° - 60°	100m-66m
S-H062-45-IR	45° - 90°	65m-45m
S-H062-60-IR	60° - 130°	36m-25m
S-H062-90-IR	90° - 140°	26m-18m
S-H062-120-IR	120° - 180°	20m-14m

*IR distance is tested by Sony 1/3 CCD Camera.

To achieve the distance needed, please pay attention to your camera specification and lens before purchase. It is normal phenomenon that distance may vary due to different cameras and lens.