

BRONZE SE SERIES IR ILLUMINATOR

S-SE6-IR IR Illuminator

Deliver high power infrared light for CCTV & IP camera at night time and improve performance of camera to get clear pictures.



Product Features



- Precise secondary optical technology

The latest LED technology assures outstanding performance of LED with excellent luminous efficiency and more uniform illumination

- Independent innovation of high efficiency power drive schemes

Low failure rate of products is guaranteed because of professional in-house optimized independent circuit technology widely used in our LED illuminators for more than 5 years

- High thermal conductivity aluminum

Excellent thermal management not only reduces excess heat and brightness decay of LED but also ensures efficient, reliable and continuous operation of LED throughout its lifetime as 50,000 hours.

- Energy saving technology

All illuminators has energy saving circuit with low electrical power consumption.

- Thinner and lighter design

Our patent owned housing is designed for simple installation and easy operation to reduce construction difficulty.

- Warranty period

3 year warranty

Basic Function

- To improve performance of the weak light camera, thereby enhancing the picture effects at night.
- Conventional night monitoring
- The function of video analysis at night
- Reduce signal noise and other image distortion
- Reduce the network bandwidth requirements
- Energy saving by power factor correction
- Reduce the equipment cost
- Lower cost of installing and wiring
- Indoor and outdoor use

Viewing picture at night



With IR light

Without IR light

BRONZE SE SERIES IR ILLUMINATOR

Picture



Black color

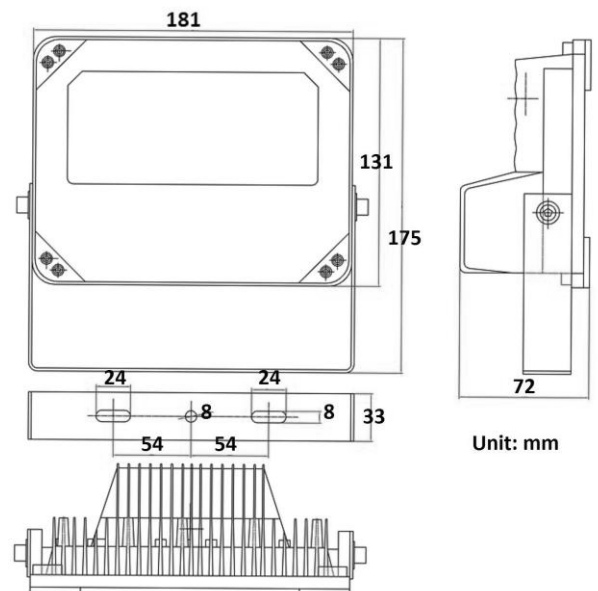
Product Certificate



Technical Specification

LED type: 6 pieces high power IR LED
 Wavelength: 740nm/850nm/940nm
 Beam angle: 15 to 120°
 Beam distance: 80m to 12m(850nm)
 Bracket: wall mount bracket
 Working voltage: 85-265V AC/12-24V DC/24V AC
 Power consumption: 11W(850nm)
 Day/night switch: automatic
 Working temperatures: -30 to 50°C
 Protection level: IP66
 Color: white/black
 Panel: tempered glass panel+IR passing plastic
 Housing: aluminum die-casting housing
 N.W: 1.2KG
 G.W: 1.5KG
 Dimension: 181*131*72mm
 Packing dimension: 210*180*100mm

Drawing



Unit: mm

Model for Selection

Model	Beam angle	IR distance (850nm)
S-SE6-15-IR	15°	80m
S-SE6-30-IR	30°	60m
S-SE6-45-IR	45°	40m
S-SE6-60-IR	60°	22m
S-SE6-90-IR	90°	16m
S-SE6-120-IR	120°	12m

*IR distance is tested by Sony 1/3 CCD Camera.

To achieve the distance needed, please pay attention to your camera specification and lens before purchase. It is normal phenomenon that distance may vary due to different cameras and lens.