

IK10 VANDAL-PROOF IR ILLUMINATOR

S-SG12-IR IR Illuminator

• Deliver high power infrared light for CCTV & IP camera at night and improve performance of camera to get clear pictures.

- Manual adjust power and sensitivity of light sensor.
- 2 years warranty.
- IK10 approved.



Product Features

- Precise secondary optical technology

The latest LED technology assures outstanding performance of LED with excellent luminous efficiency and more uniform illumination

- Independent innovation of high efficiency power drive schemes

Low failure rate of products is guaranteed because of professional in-house optimized independent circuit technology widely used in our LED illuminators for more than 5 years

- High thermal conductivity aluminum

Excellent thermal management not only reduces excess heat and brightness decay of LED but also ensures efficient, reliable and continuous operation of LED throughout its lifetime as 50,000 hours.

- Manual adjustable photocell and brightness

Easily set the time of Turn-on illuminator to meet any environmental brightness requirement and dim the brightness of illuminator to suitable light effect.

- Vandal resistant

Vandal resistant panel protects against hammer, stone and continuous thumping in a certain range.

- Energy saving technology

All illuminators has energy saving circuit with low electrical power consumption.

- Thinner and lighter design

Our patent owned housing is designed for simple installation and easy operation to reduce construction difficulty.

Basic Function

- To improve performance of the weak light camera, thereby enhancing the picture effects at night.
- Conventional night monitoring
- The function of video analysis at night
- Reduce signal noise and other image distortion
- Reduce the network bandwidth requirements
- Energy saving by power factor correction
- Lower cost of installing and wiring
- Indoor and outdoor use

Viewing picture at night



With IR light



Without IR light

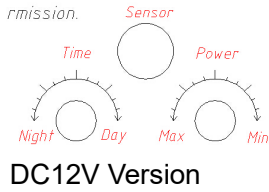


IK10 VANDAL-PROOF IR ILLUMINATOR

Picture



Adjustable Function



This side must be downward!

Technical Specification

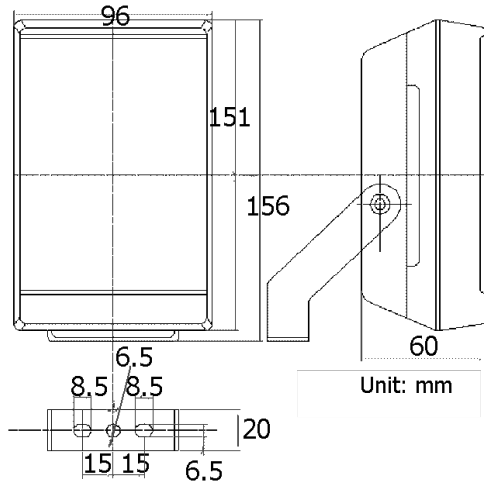
- LED type: 12 pieces high power IR LED
- Wavelength: 740nm/850nm/940nm
- Beam angle: 15 to 120°
- Beam distance: 150m to 30m (850nm)
- Bracket: wall mount bracket
- Working voltage: DC12V
- Current: 1500mA adjustable (850nm)
- Power: 18W
- Day/night switch: automatic/adjustable
- Working temperatures: -30°C to 50°C
- Protection level: IP66
- Color: black
- Panel: vandal proof PC panel
- Housing: aluminum die-casting housing
- N.W.: 0.82KG
- G.W.:1.1KG
- Packing dimension: 185*155*110mm

1. Both wires of power and led panel must be downward to avoid water in.
2. Power wire must be grounded and lighting protection measure must be done.
3. Adjust the bolt of brightness, sensor and time slightly, do not be so rude.
4. Install and adjust by professional electrician or quality technician.
5. Do not open the case and remove the power supply.

Product Certificate



Drawing



Model for Selection

| Model | Beam Angle | Distance (850nm) |
|-----------------|------------|------------------|
| S-SG12-15-C-IR | 15° | 150m |
| S-SG12-30-C-IR | 30° | 100m |
| S-SG12-45-C-IR | 45° | 70m |
| S-SG12-60-C-IR | 60° | 50m |
| S-SG12-90-C-IR | 90° | 40m |
| S-SG12-120-C-IR | 120° | 30m |

*IR distance is tested by Sony 1/3 CCD Camera with 0.01LX.
 To achieve the distance needed, please pay attention to your camera specification and lens before purchase. It is normal phenomenon that distance may vary due to different cameras and lens.