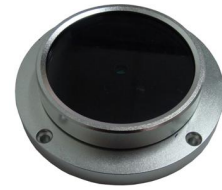


S-F8150-IR IR Illuminator

Deliver high power white light for CCTV & IP camera at night time and improve performance of camera to get clear pictures.



Product Features



- Precise secondary optical technology
The latest LED technology assures outstanding performance of LED with excellent luminous efficiency and more uniform illumination
- Independent innovation of high efficiency power drive schemes
Low failure rate of products is guaranteed because of professional in-house optimized independent circuit technology widely used in our LED illuminators for more than 5 years
- High thermal conductivity aluminum
Excellent thermal management not only reduces excess heat and brightness decay of LED but also ensures efficient, reliable and continuous operation of LED throughout its lifetime as 50,000 hours.
- Energy saving technology
All illuminators has energy saving circuit with low electrical power consumption.
- Thinner and lighter design
Our patent owned housing is designed for simple installation and easy operation to reduce construction difficulty.
- Warranty period
3 year warranty

Basic Function

- To improve performance of the weak light camera, thereby enhancing the picture effects at night.
- Conventional night monitoring
- The function of video analysis at night
- Reduce signal noise and other image distortion
- Reduce the network bandwidth requirements
- Energy saving by power factor correction
- Reduce the equipment cost
- Lower cost of installing and wiring
- Indoor and outdoor use

Viewing picture at night



With IR light

Without IR light

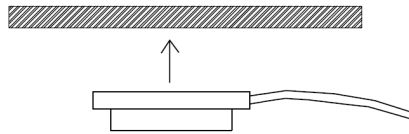
Picture



Product Certificate



Installation

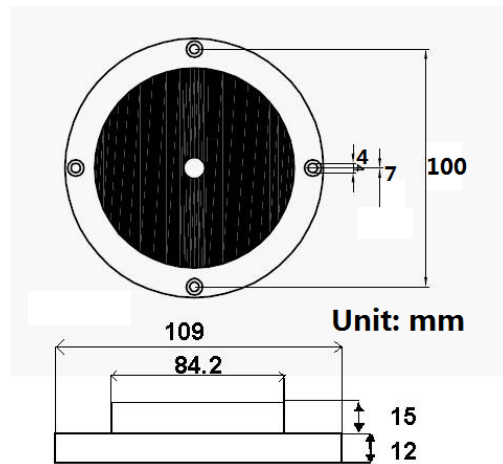


Mount the product onto the ceiling with screws

Technical Specification

LED type: 3 pieces high power IR LED
Wavelength: 740nm/850nm/940nm
Beam angle: 160°
Beam distance: 150m² 3m to 5m(850nm)
Bracket: wall mount bracket
Working voltage: DC12V
Current: 500mA(850nm)
Day/night switch: automatic
Working temperatures: -30 to 50°C
Protection level: IP65
Color: Silver
Panel: high light transmittance panel
Housing: aluminum die-casting housing
N.W: 0.33KG
G.W: 0.4KG
Packing dimension: 110*110*45mm

Drawing



Model for Selection

Model	Beam angle	IR distance (850nm)
S-F8150-160-C-IR	160°	150m ²

*IR distance is tested by Sony 1/3 CCD Camera with 0.01LX.

To achieve the distance needed, please pay attention to your camera specification and lens before purchase. It is normal phenomenon that distance may vary due to different cameras and lens.