

# IK10 VANDAL-PROOF IR ILLUMINATOR

www.infrared-ir.com

## S-SG6-IR IR Illuminator



- Deliver high power infrared light for CCTV & IP camera at night time and improve performance of camera to get clear pictures.
- Manual adjust power and sensitivity of light sensor.
- 2 years warranty.
- IK10 approved.

### Product Features

- Precise secondary optical technology

The latest LED technology assures outstanding performance of LED with excellent luminous efficiency and more uniform illumination

- Independent innovation of high efficiency power drive schemes

Low failure rate of products is guaranteed because of professional in-house optimized independent circuit technology widely used in our LED illuminators for more than 5 years

- High thermal conductivity aluminum

Excellent thermal management not only reduces excess heat and brightness decay of LED but also ensures efficient, reliable and continuous operation of LED throughout its lifetime as 50,000 hours.

- Manual adjustable photocell and brightness

Easily set the time of Turn-on illuminator to meet any environmental brightness requirement and dim the brightness of illuminator to suitable light effect.

- Vandal resistant

Vandal resistant panel protects against hammer, stone and continuous thumping in a certain range.

- Energy saving technology

All illuminators has energy saving circuit with low electrical power consumption.

- Thinner and lighter design

Our patent owned housing is designed for simple installation and easy operation to reduce construction difficulty.

### Basic Function

- To improve performance of the weak light camera, thereby enhancing the picture effects at night.
- Conventional night monitoring
- The function of video analysis at night
- Reduce signal noise and other image distortion
- Reduce the network bandwidth requirements
- Energy saving by power factor correction
- Lower cost of installing and wiring
- Indoor and outdoor use

### Viewing picture at night



With IR light



Without IR light



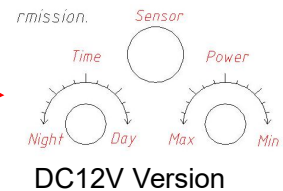
# IK10 VANDAL-PROOF IR ILLUMINATOR

www.infrared-ir.com

## Picture



## Adjustment and installation



### This side must be downward!

1. Both wires of power and led panel must be downward to avoid water in.
2. Power wire must be grounded and lighting protection measure must be done.
3. Adjust the bolt of brightness, sensor and time slightly, do not be so rude.
4. Install and adjust by professional electrician or quality technician.
5. Do not open the case and remove the power supply.

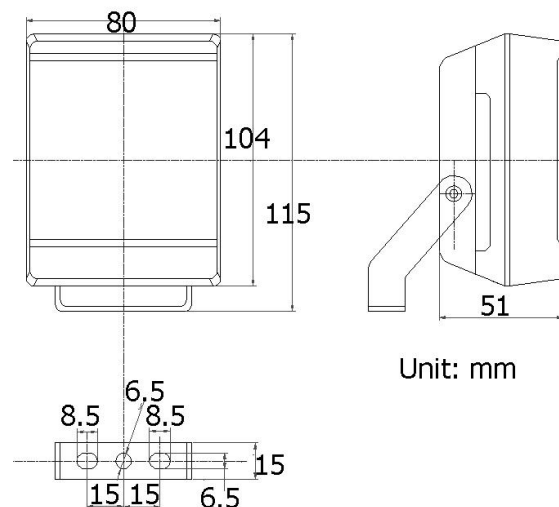
## Technical Specification

LED type: 6 pieces high power IR LED  
 Wavelength: 740nm/850nm/940nm  
 Beam angle: 15 to 120°  
 Beam distance: 80m to 12m (850nm)  
 Bracket: wall mount bracket  
 Working voltage: DC12V/AC24V  
 Current: 800mA/500mA (adjustable) (850nm)  
 Day/night switch: automatic  
 Working temperatures: -30°C to 50°C  
 Protection level: IP66  
 Color: black  
 Panel: Vandal proof PC panel  
 Housing: aluminum die-casting housing  
 N.W.: 0.53KG  
 G.W.:0.6KG  
 Packing dimension: 145\*135\*95mm

## Product Certificate



## Drawing



## Model for Selection

Model	Beam angle	IR Distance (850nm)
S-SG6-15-IR	15°	80m
S-SG6-30-IR	30°	60m
S-SG6-45-IR	45°	40m
S-SG6-60-IR	60°	22m
S-SG6-90-IR	90°	16m
S-SG6-120-IR	120°	12m

\*IR distance is tested by Sony 1/3 CCD Camera with 0.01LX.

To achieve the distance needed, please pay attention to your camera specification and lens before purchase. It is normal phenomenon that distance may vary due to different cameras and lens.