

## SILVER SD SERIES WHITE LIGHT ILLUMINATOR

### S-S242D-W

- High power white light illuminator provides high power illumination for CCTV cameras. Delicate housing and strong materials for great heat dissipation ability and zero maintenance
- 30,000 hours lifetime of LED.
- 3 years warranty.



### Professional Design

- Two stages of constant current circuit avoid LED away from instantly impulse impact when started.
- Low failure rate of products is guaranteed by the professional in-house optimized independent circuit technology, which has been widely used in our LED illuminators for more than 5 years.
- Wide edge of silica gel circle and water stop line ensure IP66 waterproof and dustproof level.
- Twice direct cooling heat sink processing enable to increase the cooling coefficient and prolong the service life of the product.
- Patent design hexagonal spherical light sensor more accurately responses ambient brightness and improves accuracy of automatic light control.
- Flexible angle adjustable bracket can extend the illuminance range widely.
- Robust cooling fin design is available the illuminator working at -40°C to 50°C.
- Super energy saving circuit with low electrical power consumption.

### Qualified Material

- Super power dot-matrix LED with strong light effect, long service life and low light decline feature.
- High efficient twice optical lens processing achieves 90% of the luminous efficiency.
- The housing adopts high thermal conductivity aluminum to enhance heat dispersion property.
- Stainless steel bracket and screw ensure low maintenance.

### Wide Range of Application

- Recommended for security at ports, railway systems, border, prisons, traffic LPR/ANPR, ITS as well as large public places lighting.

### Basic Function

- To improve performance of the weak light camera, thereby enhancing the picture effects at night.
- Conventional night monitoring
- The function of video analysis at night
- Reduce signal noise and other image distortion
- Reduce the network bandwidth requirements
- Energy saving by power factor correction
- Reduce the equipment cost
- Lower cost of installing and wiring

### Viewing picture at night



With white light

Without white light

# SILVER SD SERIES WHITE LIGHT ILLUMINATOR

Picture



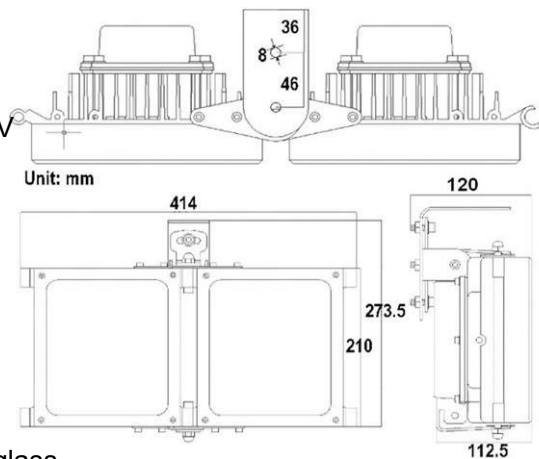
Product certificate



Technical Specification

LED type	48pcs high power white light LED
Color temperature	3000-3500K/5500-6000K
Luminous Flux	8600lm
Voltage	AC110V/AC165-265V/DC12V/AC24V
Power consumption	108W
Day and night switch	Auto (build in photocell)
Mounting	Wall mounting "U" bracket
Temperature	-40°C to 50°C
Grade of protection	IP66
Color	Beige
Housing	Aluminium
Panel	High light transmittance toughened glass
N.W	7.8KG
G.W	8.5KG
Dimension	414*210*120mm
Packing Dimension	520*400*220mm

Drawing



Model for selection

Model	Beam angle	Viewing distance
S-S242D-15-W	15° - 30°	380m-270m
S-S242D-30-W	30° - 60°	320m-230m
S-S242D-45-W	45° - 90°	260m-180m
S-S242D-60-W	60° - 130°	200m-150m
S-S242D-90-W	90° -140°	160m-130m
S-S242D-120-W	120°-180°	120m-90m

\*Viewing distance is tested by Sony 1/3 CCD Camera with 0.01LUX. .

To achieve the distance needed, please pay attention to your camera specification and lens before purchase. It is normal phenomenon that distance may vary due to different cameras and lens.