

## S-SE6-W White Light Illuminator

Delivers high power white light for night time illumination, improves performance of night vision camera to get colorful pictures.

Innovating high-efficiency design ensures long life span and zero maintenance.



### Product Features

- Precise secondary optical technology  
The latest LED technology assures outstanding performance of LED with excellent luminous efficiency and more uniform illumination
- Independent innovation of high efficiency power drive schemes  
Low failure rate of products is guaranteed because of professional in-house optimized independent circuit technology widely used in our LED illuminators for more than 5 years
- High thermal conductivity aluminum  
Excellent thermal management not only reduces excess heat and brightness decay of LED but also ensures efficient, reliable and continuous operation of LED throughout its lifetime as 50,000 hours.
- Energy saving technology  
All illuminators has energy saving circuit with low electrical power consumption.
- Thinner and lighter design  
Our patent owned housing is designed for simple installation and easy operation to reduce construction difficulty.
- Warranty period  
3 year warranty

### Basic Function

- To improve performance of the weak light camera, thereby enhancing the picture effects at night.
- Conventional night monitoring
- The function of video analysis at night
- Reduce signal noise and other image distortion
- Reduce the network bandwidth requirements
- Energy saving by power factor correction
- Reduce the equipment cost
- Lower cost of installing and wiring
- Indoor and outdoor use

### Viewing picture at night



With white light

Without white light

## S-SE6-W

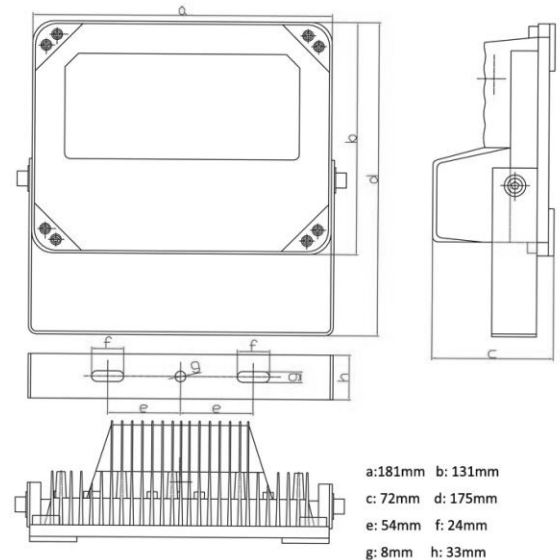
## Product Certificate



## Technical Specification

LED type: 6pieces high power white light LED  
 Luminous flux: 720lm  
 Color temperature: 5500-6000K/3000-3500K  
 Beam angle: 15 to 120°  
 Beam distance: 10 to 80m  
 Bracket: wall mount bracket  
 Working voltage: 165-220V AC/12-24V DC/24V AC  
 Power consumption: 11W  
 Day/night switch: automatic  
 Working temperatures: -30 to 50°C(-50 to 50°C with heater)  
 Protection level: IP66  
 Color: white/black  
 Panel: tempered glass panel  
 Housing: aluminum die-casting housing  
 Net weight: 1.2kg  
 Dimensions: 181\*131\*72mm

## Drawing



## Model for Selection

| Model       | Beam angle | Viewing distance |
|-------------|------------|------------------|
| S-SE6-15-W  | 15°        | 80m              |
| S-SE6-30-W  | 30°        | 50m              |
| S-SE6-45-W  | 45°        | 40m              |
| S-SE6-60-W  | 60°        | 30m              |
| S-SE6-90-W  | 90°        | 20m              |
| S-SE6-120-W | 120°       | 10m              |

\*Viewing distance is tested by Sony 1/3 CCD Camera with 0.01LUX.

To achieve the distance needed, please pay attention to your camera specification and lens before purchase. It is normal phenomenon that distance may vary due to different cameras and lens.