

Vandal Resistant White Light Illuminator

S-SG8-W

Powerful lighting products for dark place and night vision illumination
Improves performance of night vision camera to get colorful pictures
High-efficiency, long life span and zero maintenance



Product Features

- Independent innovation of high efficiency power drive schemes
- High thermal conductivity aluminum + Vandal-resistant PC panel
- Long service life, 50,000hours in theory
- Energy saving technology
- IP66 waterproof and dustproof
- Manual power control
- Manual Light operated sensor control
- Dual voltage DC12V/AC24V
- Easy installation
- 2 years warranty



Basic Function

- Improves performance of the weak light camera and enhances the monitoring picture effect.
- Low equipment cost
- Reduce cost of installing and wiring
- Indoor and outdoor use

Viewing picture at night



With white light

Without white light

Picture



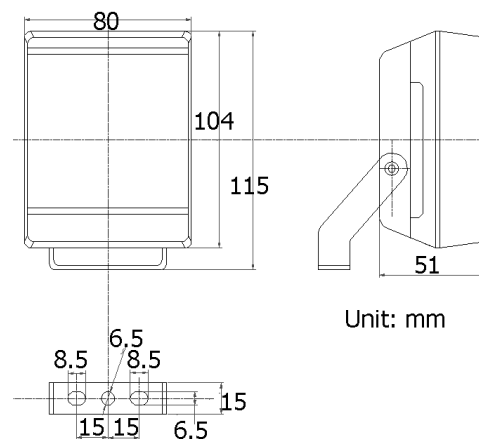
Product Certificate



Technical Specification

LED type: 8pieces high power white light LED
 Color temperature: 5500-6000K/3000-3500K
 Luminous flux: 700lm
 Beam angle: 30° to 60°
 Beam distance: 1m-30m
 Bracket: wall mount bracket
 Cable: 60mm
 Working voltage: 12VDC 1000mA/24VAC 500mA
 Day/night switch: with CDS sensor
 Working temperatures: -40°C to 60°C
 Protection level: IP66
 Color: black color
 Panel: vandal-resistant panel
 Housing: aluminum die-casting housing
 Net weight: 0.52kg
 Gross weight: 0.6kg
 Dimensions: 145*135*95mm

Drawing



Model for Selection

Model	Beam angle	*Viewing distance (adjustable)
S-SG8-30-BC-W	30°	1m-30m
S-SG8-45-BC-W	45°	1m-25m
S-SG8-60-BC-W	60°	1m-15m

*Viewing distance is adjustable, tested by Sony 1/3" CCD Camera with 0.01LUX

To achieve the distance needed, please pay attention to your camera specification and lens before purchase. It is normal phenomenon that distance may vary due to different cameras and lens.