

S-SZN1203-W License Plate Recognition Flash Lamp



Product Overview

S-SZN1203-W is designed as the high efficacy light sources for application system of license plate recognition. Under the condition of complete darkness, it helps camera system obtaining clearly pictures of number plate, vehicle body and cab.

Feature

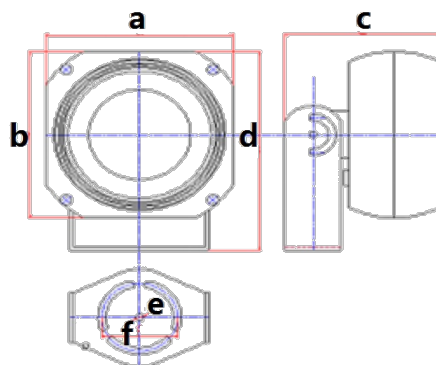
High luminous efficiency, long lifespan, good stability and high reliability

Anti-glare design, effectively reduce the eye stimulation

Technical Specification

Item	Specification
Flash energy	16J
Color temperature	5600K
Recycle time	< 400ms
Peak flash duration	< 0.1ms
Operate life	≥3million times
Trigger mode	Low electric level, switching value
Cover area	4m~5m@10m
Effective range	4m~5m
Working voltage	154VAC~265VAC
Frequency	48Hz~52Hz
Power consumption	Average power<16W(@1 flash/s), Maximum power in instant<150W
Working temperature	-20~+60°C
Working humidity	5%~95%@40°C, No condensation
Protection level	IP66
Dimension	173mm*173mm*143mm
Net Weight	2.50kg

Dimension



a: 173mm	b: 173mm
c: 143mm	d: 206mm
e: 7mm	f: 70mm

Wiring Definition



Matters need attention

Base pin	Color of outgoing wire	Signal
1	Red	Input AC220V L-line
2	Black	Input AC220V N-line
3	Yellow-Green	Input AC220V PE
4	Brown	Flash trigger + (switching value)
5	Blue	Flash trigger - (switching value)
6	White	Brightness control+ (reserved port)
7	Light Blue	Brightness control- (reserved port)

1. Except artificial reason and the force majeure, the light tube is under 3million times warranty, control circuit has 24months warranty, lifetime maintenance with cost price.
2. Using outdoor electronic product safety reasons, the ground wire must be connected to the qualified ground device to protect the products.
3. The product powered with high voltage. It is strictly prohibited to open personally.
4. The flash lamp has automatically high temperature protection, when internal temperature is over 100°C the lamp will stop working till it reduce to lower temperature.
5. To avoid water in, the power port must be downward and the power wire must not be tighten.
6. We seek to make the accuracy between product and data, but we can't cover all the application field.
7. Specification and design are subjected to change without notice.