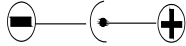


# Waterproof power supply unit

## DC12V 4A - OUP4

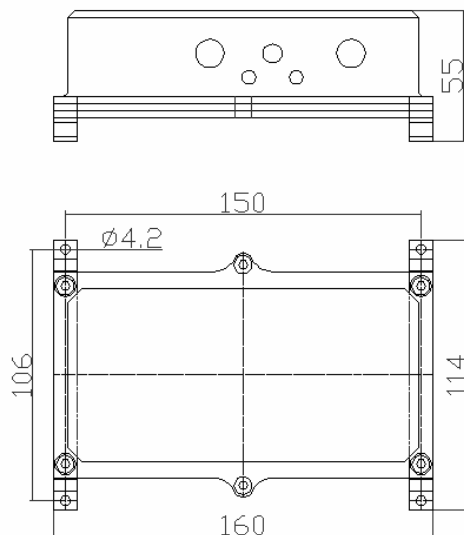
### Technical Specification

Input	AC110-220V
Frequency	50-60HZ
Output	DC12V 4000mA
Output plug	DC12V male plug 
Install bracket	"U" bracket
Working temperature	-30°C to +50°C
Housing	Aluminum die-casting housing
Protection level	IP66
Color	Black
N.W.	0.65kg
G.W.	0.8kg
Dimension	160*114*55mm
Packing dimension	220*125*105mm



### Drawing and dimension

Unit: mm



### Operate Instructions

1. The junction of Input and output cable must be downward to avoid water in.
2. Input cable must be grounded, ensure lightning protection measures.
3. Don't use against any fire precaution rules during operation.
4. Install and adjust by professional electrician or quality technician.
5. Do not open the case and remove the power supply.