

S-SA2-W White Light Illuminator

Delivers high power white light for night time illumination, improves performance of night vision camera to get colorful pictures.

Innovating high-efficiency design ensures long life span and zero maintenance



Product Features

- Precise secondary optical technology
- The latest LED technology assures outstanding performance of LED with excellent luminous efficiency and more uniform illumination
- Independent innovation of high efficiency power drive schemes
- Low failure rate of products is guaranteed because of professional in-house optimized independent circuit technology widely used in our LED illuminators for more than 5 years
- High thermal conductivity aluminum
- Excellent thermal management not only reduces excess heat and brightness decay of LED but also ensures efficient, reliable and continuous operation of LED throughout its lifetime as 50,000 hours.
- Energy saving technology
- All illuminators has energy saving circuit with low electrical power consumption.
- Thinner and lighter design
- Our patent owned housing is designed for simple installation and easy operation to reduce construction difficulty.
- Warranty period
- 3 year warranty

Basic Function

- To improve performance of the weak light camera, thereby enhancing the picture effects at night.
- Conventional night monitoring
- The function of video analysis at night
- Reduce signal noise and other image distortion
- Reduce the network bandwidth requirements
- Energy saving by power factor correction
- Reduce the equipment cost
- Lower cost of installing and wiring
- Indoor and outdoor use

Viewing picture at night



With white light

Without white light

S-SA2-W



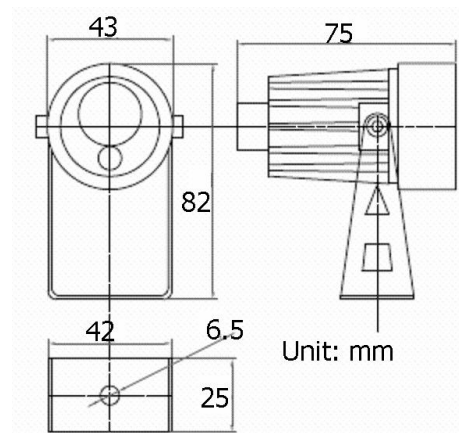
Product Certificate



Technical Specification

LED type: 1pieces high power white light LED
 Luminous flux: 120lm
 Color temperature: 5500-6000K/3000-3500K
 Beam angle: 15 to 120°
 Beam distance: 10 to 0.5m
 Bracket: wall mount bracket
 Working voltage: 12V DC 300mA
 Power consumption: 3.6W
 Day/night switch: With/without CDS sensor
 Working temperatures: -30 to 50°C
 Protection level: IP66
 Color: black
 Panel: tempered glass panel
 Housing: aluminum die-casting housing
 Net weight: 0.15kg
 Gross weight: 0.17kg
 Packing dimension: 50*50*105mm

Drawing



Model for Selection

Model	Beam angle	Viewing distance
S-SA2-15-C-W	15°	10m
S-SA2-30-C-W	30°	7m
S-SA2-45-C-W	45°	5m
S-SA2-60-C-W	60°	2m
S-SA2-90-C-W	90°	1m
S-SA2-120-C-W	120°	0.5m

*Viewing distance is tested by Sony 1/3 CCD Camera with 0.01LUX.

To achieve the distance needed, please pay attention to your camera specification and lens before purchase. It is normal phenomenon that distance may vary due to different cameras and lens.