

White Light Strobe Camera Housing

S-HZ60S-W



Description

- Leading LED technology provides high efficiency and long life span of LED, smart uniform irradiation solution improves image quality & monitoring effect.
- Accurate constant circuit drive develops excellent performance of product, power and day/night switch can be manually adjusted.
- The housing is made of PC+PBT plastic alloy, with double-layer sun-shield and up-lifting cover structure with drop-protected rope inside.
- The internal installation space is sufficient to install most IP cameras, CCTV cameras on the market, such as large intelligent traffic cameras and cameras with telephoto lenses can be installed.
- IP66 waterproof and dustproof protection level.
- High integrated solution for easy installation and saving cost.
- 2years warranty.
- Support video synchronization with camera via trigger.

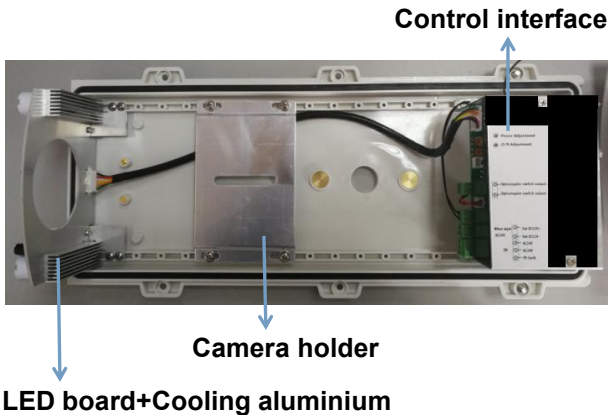
Specification

| | |
|---------------------|---|
| Quantity of LED | 10PCS 2W high power white light LED |
| Color temperature | 5500K-6500K |
| Wavelength | 400-780nm |
| Beam angle | 15° - 60° |
| NPR distance | 1-45m |
| Day/night switch | CDS 10-20lux ±10% (adjustable) |
| Input voltage | AC24V/DC48V/AC110V/AC220V |
| Output to camera | DC12V 1000mA |
| Power consumption | 20W (adjustable) |
| Trigger input | switching value/DC3.3V-12V electrical level |
| Panel | Tempered glass panel |
| Housing | PC housing |
| Bracket | Bottom mount bracket |
| Working temperature | -40°C to +60°C (-50°C to +60°C with heater) |
| Cooling | Air cooling internal circulation |
| Blower | Included |
| Protection level | IP66 |
| Color | Beige |
| N.W | 2.4KG |
| G.W | 2.9KG |

White Light Strobe Camera Housing

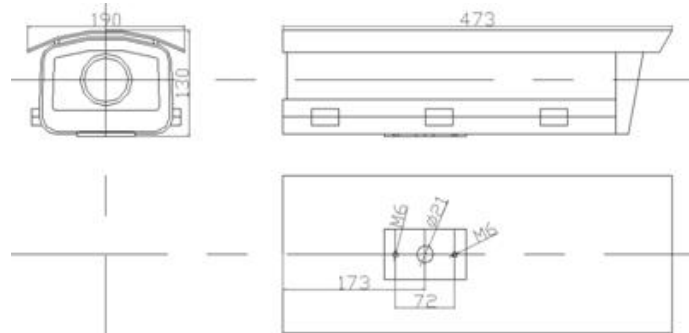
Installation and adjustment

1. Internal Picture and dimension of internal space



Lens size: $\phi 57\text{mm}$
 Length: $30\text{mm}(\phi 57\text{mm}) + 250\text{mm}$
 Width: 100mm
 Height: $15\text{mm}(\text{camera holder to bottom of lens}) + 57\text{mm}(\text{lens}) + 10\text{mm}(\text{top of lens to top of led board})$

2. Dimension of housing



Unit: mm

Models for selection

| Model | Beam Angle | Distance for NPR |
|--------------|------------|------------------|
| S-HZ60S-15-W | 15° | 20-40m |
| S-HZ60S-30-W | 30° | 15-30m |
| S-HZ60S-45-W | 45° | 10-20m |

*Distance is tested by SONY 1/3" CCD Camera. To achieve the distance needed, please pay attention to your camera specification and lens before purchase. It is normal phenomenon that distance may vary due to different cameras and lens.

Certificate



Our product is weatherproof and dustproof. Do not modify the shape, dismantle or reconfigure the product, any inflow of water cause by which are not be responsible for warranty repair.

Bracket (options)

Cable Management Bracket
 Material: Aluminium Alloy
 Size: $280 \times 120 \times 84\text{mm}$
 N.W: 0.8KG

